

# Dimmer

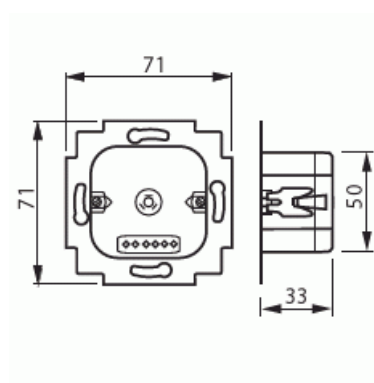
Potentiometer insert 1-10 V

**Typ:** 2112 U-101-500

**Produkt ID:** 2CKA006599A2873

**GTIN:** 4011395037188

Potentiometer insert 1-10 V. For controlling electronic control gears for fluorescent lamps, analogy adjustment (IEC 929). Nominal voltage: 230 V/50 Hz. Control current max. 50 mA DC. Switching capability 4 A cos  $\phi$  0,9. Up to 4 gears can be directly connected to 1 dimmer.



## Teknisk specifikation

### Packning

|              |      |
|--------------|------|
| Förpackning: | 1/10 |
| Enhet:       | st   |

### ETIM Data

|                      |                         |
|----------------------|-------------------------|
| ETIM Version:        | ETIM-9.0                |
| ETIM Class:          | EC000025                |
| Method of operation: | Turn button             |
| Type of load:        | Universal               |
| Light value memory:  | Ja                      |
| Mounting method:     | Flush mounted (plaster) |
| Halogen free:        | Nej                     |
| Nominal voltage:     | 230 V                   |

|  |       |
|--|-------|
| Device width:                            | 71 mm |
| Device height:                           | 71 mm |
| Device depth:                            | 53 mm |
| Min. depth of built-in installation box: | 32 mm |
| Compatible with Apple HomeKit:           | Nej   |
| Compatible with Google Assistant:        | Nej   |
| Compatible with Amazon Alexa:            | Nej   |
| IFTTT support available:                 | Nej   |