

# Cover frame

Cover frame, 80mm, 1-gang, black matt

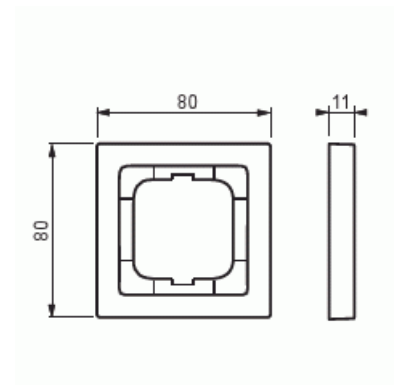
Typ: 1721-885K

Produkt ID: 2CKA001754A4419

GTIN: 4011395128299



Flush mounting cover frame for 1-gang accessories, such as switches. The surface is painted. Cleaning with a mild, standard household detergent. Be careful when cleaning with a powerful dissolvent.



## Teknisk specifikation

### Packning

|              |    |
|--------------|----|
| Förpackning: | 1  |
| Enhet:       | st |

### ETIM Data

|                             |                         |
|-----------------------------|-------------------------|
| ETIM Version:               | ETIM-9.0                |
| ETIM Class:                 | EC000007                |
| Number of units:            | 1                       |
| Mounting direction:         | Horizontal and vertical |
| Number of units horizontal: | 1                       |
| Number of units vertical:   | 1                       |
| With mounting grid:         | Nej                     |
| Flush-mounted installation: | Ja                      |

|                                     |                |
|-------------------------------------|----------------|
| Suitable for floor box:             | Nej            |
| Suitable for wall duct:             | Ja             |
| Suitable for built-in installation: | Nej            |
| Label space/information surface:    | Nej            |
| Material:                           | Plastic        |
| Material quality:                   | Thermoplastic  |
| Halogen free:                       | Ja             |
| Anti-bacterial treatment:           | Nej            |
| Surface protection:                 | Lacquered      |
| Surface finishing:                  | Matt           |
| Colour:                             | Black          |
| RAL-number (similar):               | 9005           |
| Transparent:                        | Nej            |
| With hinged lid:                    | Nej            |
| Degree of protection (IP):          | IP20           |
| Impact strength:                    | IK03           |
| Type of fastening:                  | Clamp mounting |
| Width:                              | 80 mm          |
| Height:                             | 80 mm          |
| Depth:                              | 11 mm          |
| Built-in width:                     | 63 mm          |
| Built-in height:                    | 63 mm          |
| Diameter bore hole (opening):       | 71 mm          |