

# Cover frame

Cover frame, Axcen, 3-gang, black

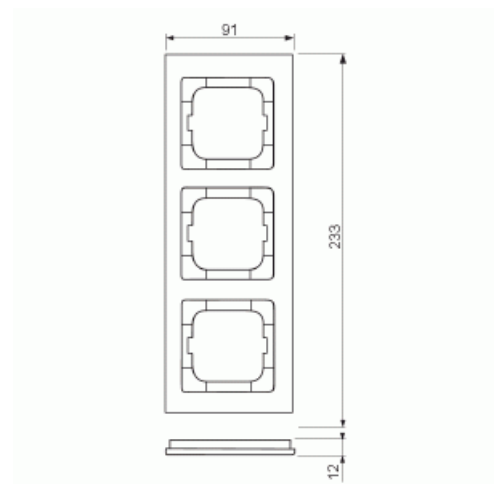
Typ: 1723-281

Produkt ID: 2CKA001754A4411

GTIN: 4011395126387



Flush mounting cover frame for 1-gang accessories, such as switches. Plastic material. Cleaning with a mild, standard household detergent. The use of strong dissolvents should be avoided.



## Teknisk specifikation

### Colors

Colour code:	RAL9005
--------------	---------

### Packning

Förpackning:	1/10
Enhet:	st

### ETIM Data

ETIM Version:	ETIM-9.0
ETIM Class:	EC000007
Number of units:	3

Mounting direction:	Horizontal and vertical
Number of units horizontal:	3
Number of units vertical:	3
With mounting grid:	Nej
Flush-mounted installation:	Ja
Suitable for floor box:	Nej
Suitable for wall duct:	Ja
Suitable for built-in installation:	Nej
Label space/information surface:	Nej
Material:	Plastic
Material quality:	Thermoplastic
Halogen free:	Ja
Anti-bacterial treatment:	Nej
Surface protection:	Untreated
Surface finishing:	Glossy
Colour:	Black
RAL-number (similar):	9005
Transparent:	Nej
With hinged lid:	Nej
Degree of protection (IP):	IP20
Impact strength:	IK03
Type of fastening:	Clamp mounting
Width:	91 mm
Height:	233 mm
Depth:	11 mm
Built-in width:	63 mm
Built-in height:	63 mm
Diameter bore hole (opening):	71 mm