

Cover frame

Cover frame, Axcen, 2-gang, green

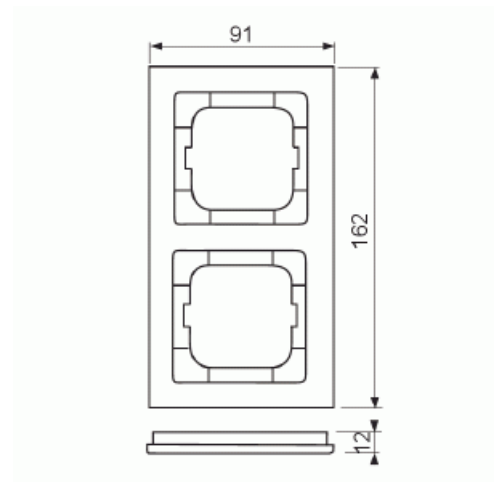
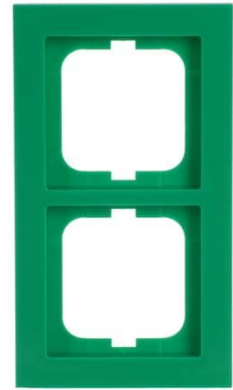
Typ: 1722-286

Produkt ID: 2CKA001754A4338

GTIN: 4011395113325



Flush mounting cover frame for 1-gang accessories, such as switches. Plastic material. Cleaning with a mild, standard household detergent. The use of strong dissolvents should be avoided.



Teknisk specifikation

Packning

| | |
|--------------|------|
| Förpackning: | 1/10 |
| Enhet: | st |

ETIM Data

| | |
|-----------------------------|-------------------------|
| ETIM Version: | ETIM-9.0 |
| ETIM Class: | EC000007 |
| Number of units: | 2 |
| Mounting direction: | Horizontal and vertical |
| Number of units horizontal: | 2 |
| Number of units vertical: | 2 |

| | |
|-------------------------------------|----------------|
| With mounting grid: | Nej |
| Flush-mounted installation: | Ja |
| Suitable for floor box: | Nej |
| Suitable for wall duct: | Ja |
| Suitable for built-in installation: | Nej |
| Label space/information surface: | Nej |
| Material: | Plastic |
| Material quality: | Thermoplastic |
| Halogen free: | Ja |
| Anti-bacterial treatment: | Nej |
| Surface protection: | Untreated |
| Surface finishing: | Glossy |
| Colour: | Green |
| RAL-number (similar): | 6032 |
| Transparent: | Nej |
| With hinged lid: | Nej |
| Degree of protection (IP): | IP20 |
| Impact strength: | IK03 |
| Type of fastening: | Clamp mounting |
| Width: | 91 mm |
| Height: | 162 mm |
| Depth: | 11 mm |
| Built-in width: | 63 mm |
| Built-in height: | 63 mm |
| Diameter bore hole (opening): | 71 mm |