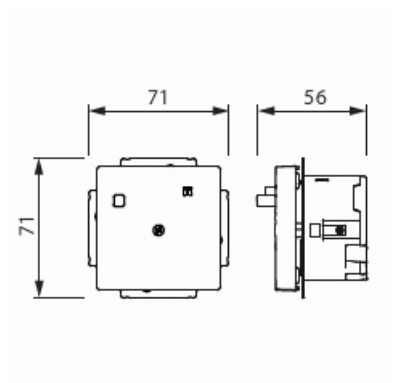


# Fault current protection

Typ: 3150UC-81.1

Produkt ID: 2CCF019500R0001

GTIN: 7612271497071



## Teknisk specifikation

### Elektriska värden

Nominal current:	16 A
Nominal voltage:	230 V

### Klassificering

Suitable for degree of protection (IP):	IP21
---	------

### Packning

Förpackning:	1/10
Enhet:	st

### ETIM Data

ETIM Version:	ETIM-9.0
---------------	----------

ETIM Class:	EC000125
With signal lamp:	Nej
Number of units:	1
Number of phases:	1
Imprint/indication:	None
Connection type:	Push-in clamp
With hinged lid:	Nej
With enhanced contact protection:	Nej
Label space/information surface:	Nej
Colour:	Anthracite
RAL-number (similar):	7021
Metallic colour:	Nej
Transparent:	Nej
Lockable:	Nej
Eject-mechanism:	Nej
Insulated mounting:	Nej
With function lighting:	Nej
With orientation lighting:	Nej
Over voltage protection:	Nej
Fault current protection:	Ja
With miniature fuse:	Nej
Special power supply:	No special power supply
Mounting method:	Flush mounted (plaster)
Type of fastening:	Mounting with claw and screw
Material:	Plastic
Material quality:	Thermoplastic
Halogen free:	Ja
Surface protection:	Untreated
Surface finishing:	Glossy
Anti-bacterial treatment:	Nej
With loop through function:	Ja
With on/off switch:	Nej
Rotated central insert:	Nej
Frequency:	50...60 Hz
Rated fault current:	30 mA

Device width:	71 mm
Device height:	71 mm
Device depth:	56 mm
Min. depth of built-in installation box:	40 mm
Compatible with Apple HomeKit:	Nej
Compatible with Amazon Alexa:	Nej
Compatible with Google Assistant:	Nej
IFTTT support available:	Nej