

Product Card

Socket outlet, Jussi, Schuko, 2-gang, shuttered, screwless terminals, branching terminals



Socket outlet

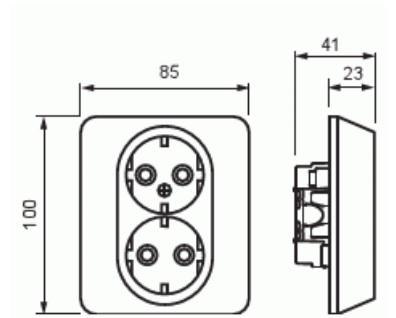
Socket outlet, Jussi, Schuko, 2-gang, shuttered, screwless terminals, branching terminals

Type: 302EUJ

GTIN: 6418677310409



There are terminals for each contact of the socket outlet for max 4 rigid wires. No X-terminals. The socket outlet insert without the cover plate is screen-protected.



Technical specification

General Information

Product ID: 2TKA000945G1

Electrical quantities

Rated current: 16 A

Rated voltage: 250 V

Classification

Enclosure class: IP21

Product Card

Socket outlet, Jussi, Schuko, 2-gang, shuttered, screwless terminals, branching terminals



Packing

| | |
|----------|--------|
| Package: | 10/100 |
| Unit: | PCS |

ETIM Data

| | |
|------------------------------------|-----------------------------|
| Model: | Protective contact (type F) |
| Protective contact: | Yes |
| Protective earth pin round: | No |
| Number of active pins (round): | 2 |
| With signal lamp: | No |
| With built-in USB power supply: | No |
| Number of units: | 2 |
| Number of modules (module system): | 1 |
| Number of phases: | 1 |
| Imprint/indication: | None |
| Connection type: | Push-in clamp |
| With hinged lid: | No |
| With enhanced contact protection: | Yes |
| Label space/information surface: | No |
| Colour: | White |
| RAL-number (similar): | 9010 |
| Metallic colour: | No |
| Transparent: | No |
| Lockable: | No |
| Eject-mechanism: | No |
| Insulated mounting: | No |
| With function lighting: | No |
| With orientation lighting: | No |
| Over voltage protection: | No |
| Fault current protection: | No |
| With miniature fuse: | No |
| Special power supply: | No special power supply |
| Mounting method: | Flush mounted (plaster) |

Product Card

Socket outlet, Jussi, Schuko, 2-gang, shuttered, screwless terminals, branching terminals



| | |
|------------------------------------------|------------------------------|
| Type of fastening: | Mounting with claw and screw |
| Material: | Plastic |
| Material quality: | Thermoplastic |
| Halogen free: | Yes |
| Surface protection: | Untreated |
| Surface finishing: | Matt |
| Anti-bacterial treatment: | No |
| With on/off switch: | No |
| With loop through function: | No |
| Rotated central insert: | No |
| Nominal current: | 16 A |
| Nominal voltage: | 250 V |
| Frequency: | 50 Hz |
| Suitable for degree of protection (IP): | IP21 |
| Device width: | 85 mm |
| Device height: | 40 mm |
| Device depth: | 100 mm |
| Compatible with Apple HomeKit: | No |
| Compatible with Google Assistant: | No |
| Min. depth of built-in installation box: | 17 mm |
| Compatible with Amazon Alexa: | No |
| IFTTT support available: | No |