

Product Card

Center plate, Impressivo, tele outlet, aluminum



Center plate

Center plate, Impressivo, tele outlet, aluminum

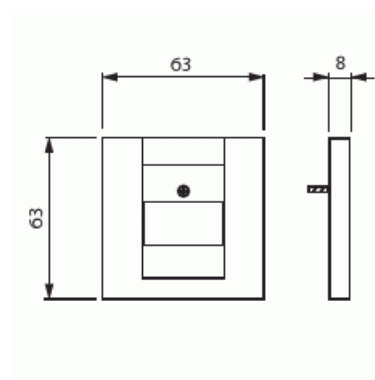
Type: 1766-83

Product ID: 2TKA000496G1

GTIN: 4011395069097



Center plate for tele outlets. It is suitable for the 85mm cover frames and with the 2519-xx adapter also for the 100mm cover frames. The manufacture material is a durable high quality plastic. The surface is glossy and easy to keep clean. Cleaning with a mild, standard household detergent. Be careful when cleaning with a powerful dissolvent.



Technical specification

Packing

Package:	1/10/100/2800
Unit:	PCS

ETIM Data

Assembly arrangement:	Control element
Utilization:	TAE
Support ring:	No
With dust cover:	No
With hinged lid:	No
Outlet direction:	Straight
Imprintable label:	Without indication field

Product Card

Center plate, Impressivo, tele outlet, aluminum



With imprint:	No
Mounting method:	Flush mounted (plaster)
Material:	Plastic
Material quality:	Thermoplastic
Halogen free:	Yes
Surface protection:	Lacquered
Surface finishing:	Matt
Colour:	Aluminium
RAL-number (similar):	9006
Transparent:	No
Type of fastening:	Mounting with screw
Number of modules (module system):	1
With buses/couplings:	No
Suitable for number of connectors:	1
With strain relief:	No
Shielded buses:	No
Shielded housing:	No
Luster terminal:	No
Suitable for degree of protection (IP):	IP20
Device width:	63 mm
Device height:	63 mm
Device depth:	8.4 mm
Min. depth of built-in installation box:	32 mm