

Product Card

Height 68 mm, screw c/c distance 60 mm



Mounting box

Height 68 mm, screw c/c distance 60 mm

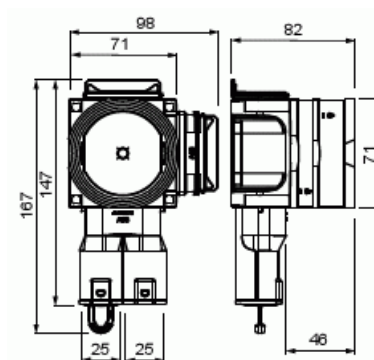
Type: AUB60

GTIN: 6438199008851



Mounting box AUB60 is especially designed for off site and on site casting applications. Box height is 68 mm. Box has two inlets with locking springs for 20 or 25 mm conduits. Additional inlets can be attached to other sides without need of any tooling. The mounting box includes a rotating, steplessly adjustable extension ring. The extension ring can be tilted 0-4°. Box combinations can be created without additional accessories and box has large inside space. Made of halogen free material (IEC/61249-2-21) and fulfills the requirements of the glow wire test according to the standard IEC/EN60670: 2005 (650 °C).

Maximum number of conductors is 30 pcs.



Technical specification

General Information

Product ID: 2TKA00004663

Thermal conditions

Operating temperature: -25 ... 90 °C

Packing

Package: 50

Unit: PCS

ETIM Data

© ABB 2023

Business ID 0763403-0

www.installationmaterials.com

Customer service

puh. +358 10 222 1999

contact.center@fi.abb.com

ABB Exchange

+358 10 22 11

Product Card

Height 68 mm, screw c/c distance 60 mm



Mounting method:	Concrete building
Shape:	Round
Construction type:	Device connection box (round/square)
Model:	Single
Provided with revolving ring:	Yes
Connectable:	Yes
Equipped with:	Other
Diameter:	71 mm
Length:	167 mm
Width:	84 mm
Depth:	68...83 mm
Inner depth:	63 mm
Suitable for wall/board thickness:	0...32 mm
For number of electric fittings:	1
Mounting switching equipment:	Screwing
With screws:	Yes
Housing feed-through by break-out opening:	Yes
Housing feed-through by seal membrane:	No
Housing feed-through by nozzle:	Yes
Housing feed-through by step membrane:	No
For tube diameter:	20/25 mm
Pipe locking:	Yes
Pipe locking optional:	No
Inlet from the rear:	No
Number of inlets:	8
Number of included spouts:	2
Material:	Plastic
Halogen free:	Yes
Surface protection:	Untreated
Colour:	White
Degree of protection (IP):	IP3X
Cover model:	Construction protective cover
Transparent cover:	No
Cover attachment:	Snapped on

Product Card

Height 68 mm, screw c/c distance 60 mm



Sealable:	No
Circuit integrity:	None
With screening:	No
Air tight:	No
Max. conductor cross section:	2.5 mm ²
Clamp position fixed:	No
Luminaire hook mounting:	No
Nozzle:	None
With nail lugs:	Yes
Special application:	None