

## Product Card

Seal for 85 mm cover frame, IP44



# Seal Impressivo

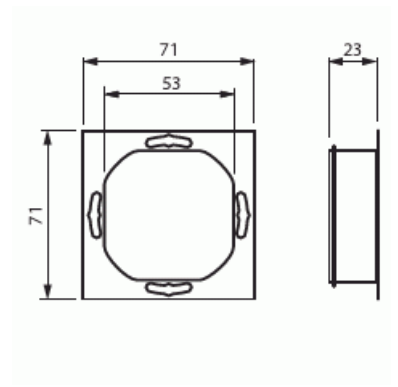
Seal for 85 mm cover frame, IP44

Type: 2463

GTIN: 6418677328176



A switch and push switch is water protected (IP44) when flush mounted with the seal and screw-mounted rocker frame (2474 or 2475).



## Technical specification

### General Information

Product ID: 2TKA000002G1

### Classification

Enclosure class: IP44

### Packing

Package: 20/200

Unit: PCS

### ETIM Data

Type of accessory/spare part: Sealing set

© ABB 2024

Business ID 0763403-0

[www.installationmaterials.com](http://www.installationmaterials.com)

Customer service

puh. +358 10 222 1999

[contact.center@fi.abb.com](mailto:contact.center@fi.abb.com)

ABB Exchange

+358 10 22 11

# Product Card

Seal for 85 mm cover frame, IP44



---

Accessory:	Yes
Spare part:	No

---