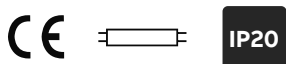


# Dimmer

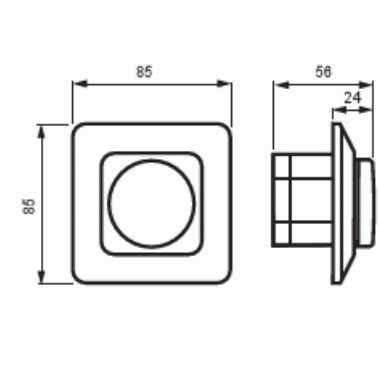
Potentiometer 1-10 V, Jussi

**Type:** 2112 UJ-214-510

**GTIN:** 6410035127919



Potentiometer 1-10 V. For controlling electronic control gears for fluorescent lamps, analogy adjustment (IEC 929). Nominal voltage: 230 V/50 Hz. Control current max. 50 mA DC. Switching capability 4 A cos  $\phi$  0,9. Up to 4 gears can be directly connected to 1 dimmer.



## Technical specification

### General Information

Product ID:	2CKA006599A2814
-------------	-----------------

### Dimensions

Dimensions:	85x85x56
Weight:	74 g

### Classification

Enclosure class:	IP20
------------------	------

# Product Card

Potentiometer 1-10 V, Jussi



## Electrical quantities

Rated voltage:	230 V
Breaking capacity:	700 VA
Switching current:	≤ 4 A

## Colors

Colour:	White
---------	-------

## Electronics

Operating frequency:	50 Hz
Control current:	50 mA

## Packing

Package:	1/10
Unit:	PCS

## ETIM Data

Assembly arrangement:	Basic element with full cover plate
Method of operation:	Turn/push button
Serial dimmer:	No
Type of load:	Other
Substation input:	No
Light value memory:	No
Applicable with button:	No
Applicable with movement sensor:	No
Applicable with presence indicator:	No
Applicable with time switch/timer:	No
Applicable with transmission button:	No
Applicable with infrared button:	No
Mounting method:	Flush mounted (plaster)
Type of fastening:	Mounting with claw and screw
Material:	Plastic

# Product Card

Potentiometer 1-10 V, Jussi



Material quality:	Thermoplastic
Halogen free:	Yes
Surface protection:	Untreated
Surface finishing:	Matt
Colour:	White
RAL-number (similar):	9010
Transparent:	No
Suitable for degree of protection (IP):	IP20
Nominal voltage:	207...253 V
Frequency:	50...60 Hz
Connection type:	Screwed terminal
Device width:	71 mm
Device height:	71 mm
Device depth:	32 mm
Min. depth of built-in installation box:	28 mm
Compatible with Apple HomeKit:	No
Compatible with Google Assistant:	No
Compatible with Amazon Alexa:	No
IFTTT support available:	No