

## Product Card

Center plate, Impressivo, for card switch 8114.1, white



# Center plate

Center plate, Impressivo, for card switch 8114.1, white

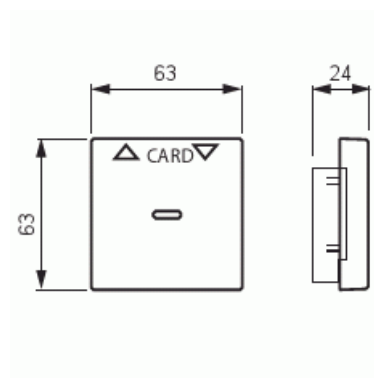
**Type:** 1792-84

**Product ID:** 2CKA001710A3641

**GTIN:** 4011395064856



Special rocker for card switch insert 8114.1. Used, for example, as a hotel-room "main switch" with a card the size of a credit card. Can only be installed in dry indoor spaces. Manufactured from a durable high quality plastic material. The surface is glossy and easy to keep clean. Cleaning with a mild, standard household detergent. Be careful when cleaning with a powerful dissolvent.



## Technical specification

### Classification

Suitable for degree of protection (IP):	IP20
---	------

### Packing

Package:	1/10/100/2800
Unit:	PCS

### ETIM Data

Model:	Hotel card
Imprint/indication:	Symbol "arrows"
Scannable symbol/barrier free:	No
Suitable for touch sensor connector for bus system:	No

# Product Card

Center plate, Impressivo, for card switch 8114.1, white



Type of fastening:	Clamp mounting
Monitoring window/light outlet:	No
Material:	Plastic
Material quality:	Thermoplastic
Halogen free:	No
Surface protection:	Untreated
Surface finishing:	Glossy
Anti-bacterial treatment:	No
Colour:	White
RAL-number (similar):	9016
With label area:	No
With exchangeable lens/symbol:	No
Impact strength:	IK03
Width:	63 mm
Height:	63 mm
Depth:	13.4 mm