

## Product Card

Residual current device with a rated current of 16 A and s rated residual current of 30mA.



# Fault current protection

Residual current device with a rated current of 16 A and s rated residual current of 30mA.



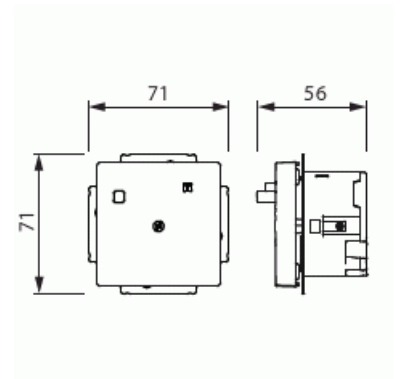
**Type:** 3150UC-84.1

**Product ID:** 2CCF019492R0001

**GTIN:** 7612271473808



Residual current device with a rated current of 16 A and s rated residual current of 30mA.



## Technical specification

### Packing

Package:	1/10
Unit:	PCS

### ETIM Data

With signal lamp:	No
Number of units:	1
Number of phases:	1
Imprint/indication:	None
Connection type:	Push-in clamp
With hinged lid:	No
With enhanced contact protection:	No

# Product Card

Residual current device with a rated current of 16 A and s rated residual current of 30mA.



Label space/information surface:	No
Colour:	White
RAL-number (similar):	9016
Metallic colour:	No
Transparent:	No
Lockable:	No
Eject-mechanism:	No
Insulated mounting:	No
With function lighting:	No
With orientation lighting:	No
Over voltage protection:	No
Fault current protection:	Yes
With miniature fuse:	No
Special power supply:	No special power supply
Mounting method:	Flush mounted (plaster)
Type of fastening:	Mounting with claw and screw
Material:	Plastic
Material quality:	Thermoplastic
Halogen free:	Yes
Surface protection:	Untreated
Surface finishing:	Glossy
Anti-bacterial treatment:	No
With loop through function:	Yes
With on/off switch:	No
Rotated central insert:	No
Nominal current:	16 A
Nominal voltage:	230 V
Frequency:	50...60 Hz
Rated fault current:	30 mA
Suitable for degree of protection (IP):	IP21
Device width:	71 mm
Device height:	71 mm
Device depth:	56 mm
Min. depth of built-in installation box:	40 mm

## Product Card

Residual current device with a rated current of 16 A and s rated residual current of 30mA.



Compatible with Apple HomeKit:	No
Compatible with Amazon Alexa:	No
Compatible with Google Assistant:	No
IFTTT support available:	No