

BasicLINE mini

BasicLINE mini, white



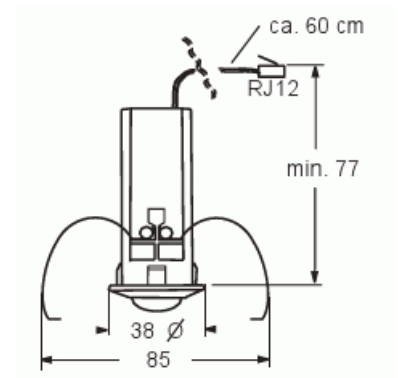
Tyyppi: 6811 EB-500

Tuotekoodi: 2CKA006800A2517

GTIN: 4011395148037



230V/50Hz, 2000W, IP20 for flush mounting.
Detection area 360°, 4-10m. Brightness level adjustment 10-1000 lux.
Time delay 1min. - 15min. Installation height 2-5m.



Tekniset tiedot

Thermal conditions

Operating temperature:	0 ... 45 °C
------------------------	-------------

Electronics

Operating frequency:	50 Hz
----------------------	-------

Detection area:	360 °
-----------------	-------

Pakkaus

Paketti:	1/30
----------	------

Yksikkö:	kpl
----------	-----

ETIM Data

ETIM Version:	ETIM-9.0
ETIM Class:	EC000133
Model:	Presence detector
Sensor type:	Passive infrared
With DALI interface:	Ei
Constant light control:	Ei
HVAC-control:	Ei
Forced switch on:	Ei
Forced switch off:	Ei
Animal zone:	Ei
Creep-under protection:	Kyllä
Networkable:	Ei
Optimum mounting height:	2 m
Staircase monitoring:	Kyllä
Bridging switch:	Ei
Suitable for wireless transmission:	Ei
Remote operation:	Ei
With remote control:	Ei
Response value sensitivity adjustable:	Kyllä
Response value luminosity adjustable:	Kyllä
With signal unit:	Ei
Teach-function for response value luminosity:	Ei
Dim function with dimmer basic element:	Ei
Mounting method:	Other
Suitable for ceiling mounting:	Kyllä
Suitable for wall mounting:	Ei
Material:	Plastic
Material quality:	Thermoplastic
Halogen free:	Kyllä
Surface protection:	Untreated
Surface finishing:	Matt
Anti-bacterial treatment:	Ei
Colour:	White
RAL-number (similar):	9010

Transparent:	Ei
Degree of protection (IP):	IP20
Voltage type:	AC
Frequency:	50 Hz
Nominal voltage:	230 V
Min. switch-on time:	60 s
Max. duty cycle:	15 min
Detection angle horizontal:	360 °
Response value luminosity:	10...1000 lx
Substation input:	Ei
With alarm function:	Ei
Width:	75 mm
Height:	130 mm
Depth:	150 mm
Built-in width:	27 mm
Built-in depth:	205 mm
Built-in diameter:	32 mm
Min. depth of built-in installation box:	205 mm
Compatible with Apple HomeKit:	Ei
Compatible with Google Assistant:	Ei
Compatible with Amazon Alexa:	Ei
IFTTT support available:	Ei