

Watchdog

Watchdog 220 WaveLINE, RF, white

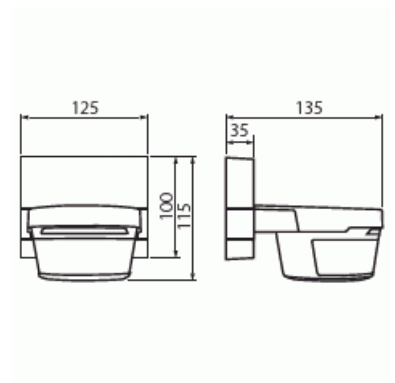
Tyyppi: 6747AGM-204-500

Tuotekoodi: 2CKA006700A0035

GTIN: 4011395175880



230 V, 16 A relay, IP55, for surface mounting. Detection area 220 degrees - the sensor section can be tilted down and rotated horizontally. Detection range 16 m to the front and sides when mounted at a height of 2.5 m. Adjustable lighting level 0.5-1,000 lux, switch-off delay 2 sec-30 min.



Tekniset tiedot

Sähkösuureet

Rated voltage:	230 V
----------------	-------

Luokitus

Enclosure class:	IP55
------------------	------

Dimensions

Dimensions:	115x125x141 mm
Weight:	550 g

Thermal conditions

Operating temperature:	-25 ... 55 °C
------------------------	---------------

Colors

Colour:	White
---------	-------

Electronics

Operating frequency:	868 MHz
Detection area:	220°, eteen 16 m, sivuille 16 m
Switching time:	10 s-30 min

Pakkaus

Paketti:	1/10
Yksikkö:	kpl

ETIM Data

ETIM Version:	ETIM-9.0
ETIM Class:	EC000133
Model:	Movement sensor
Sensor type:	Passive infrared
Constant light control:	Ei
HVAC-control:	Ei
Animal zone:	Ei
Creep-under protection:	Kyllä
Networkable:	Kyllä
Optimum mounting height:	2.5 m
Staircase monitoring:	Kyllä
Suitable for wireless transmission:	Kyllä
Response value luminosity adjustable:	Kyllä
Teach-function for response value luminosity:	Ei
Dim function with dimmer basic element:	Ei
Mounting method:	Surface mounted (plaster)
Material:	Plastic
Material quality:	Thermoplastic
Halogen free:	Kyllä

Surface protection:	Untreated
Surface finishing:	Matt
Anti-bacterial treatment:	Ei
Colour:	White
RAL-number (similar):	9010
Degree of protection (IP):	IP55
Voltage type:	DC
Nominal voltage:	4.5 V
Min. switch-on time:	60 s
Max. duty cycle:	3 min
Detection angle horizontal:	8...220 °
Pivoting range sensor, horizontal:	-30...30 °
Pivoting range sensor, vertical:	-10...10 °
Response value luminosity:	0...1000 lx
Width:	125 mm
Height:	115 mm
Depth:	141 mm
Compatible with Apple HomeKit:	Ei
Compatible with Google Assistant:	Ei
Compatible with Amazon Alexa:	Ei
IFTTT support available:	Ei