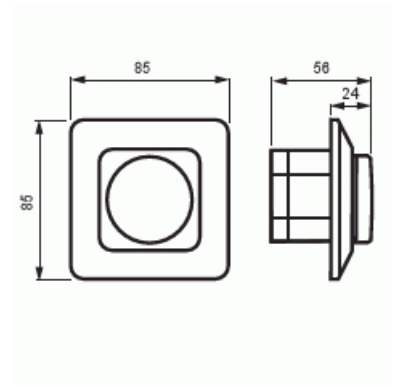


Dimmer

Potentiometer 1-10 V, Jussi

Tyyppi: 2112 UJ-214-510**Tuotekoodi:** 2CKA006599A2814**GTIN:** 6410035127919

Potentiometer 1-10 V. For controlling electronic control gears for fluorescent lamps, analogy adjustment (IEC 929). Nominal voltage: 230 V/50 Hz. Control current max. 50 mA DC. Switching capability 4 A cos ϕ 0,9. Up to 4 gears can be directly connected to 1 dimmer.



Tekniset tiedot

Sähkösuureet

Nominal voltage:	230 V
Breaking capacity:	700 VA
Switching current:	≤ 4 A

Luokitus

Enclosure class:	IP20
------------------	------

Dimensions

Dimensions:	85x85x56
Weight:	74 g

Colors

Colour:	White
---------	-------

Electronics

Operating frequency:	50 Hz
Control current:	50 mA

Pakkaus

Paketti:	1/10
Yksikkö:	kpl

ETIM Data

ETIM Version:	ETIM-9.0
ETIM Class:	EC000534
Mounting method:	Flush mounted (plaster)
Control current:	50 mA
Rated current:	4 A
Min. depth of built-in installation box:	32 mm
Device width:	85 mm
Device height:	85 mm
Device depth:	53 mm
Metallic colour:	Ei
Compatible with Apple HomeKit:	Ei
Compatible with Google Assistant:	Ei
Compatible with Amazon Alexa:	Ei
IFTTT support available:	Ei