

Cover frame

Cover frame, Carat, 3-gang, Black

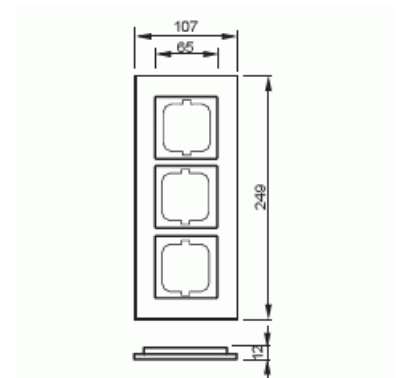
Tyyppi: 1723-825

Tuotekoodi: 2CKA001754A4324

GTIN: 4011395088937



Flush mounting cover frame for 1-gang cover plated accessories, such as switches. Material glass. Cleaning with a mild, standard household detergent. The use of strong dissolvents should be avoided.



Tekniset tiedot

Luokitus

Enclosure class:	IP20
------------------	------

Colors

Colour:	Black
---------	-------

Pakkaus

Paketti:	1
Yksikkö:	kpl

ETIM Data

ETIM Version:	ETIM-9.0
---------------	----------

ETIM Class:	EC000007
Number of units:	3
Mounting direction:	Horizontal and vertical
Number of units horizontal:	3
Number of units vertical:	3
With mounting grid:	Ei
Flush-mounted installation:	Kyllä
Suitable for floor box:	Ei
Suitable for wall duct:	Kyllä
Suitable for built-in installation:	Ei
Label space/information surface:	Ei
Material:	Glass
Material quality:	Glass
Halogen free:	Kyllä
Anti-bacterial treatment:	Ei
Surface protection:	Untreated
Surface finishing:	Glossy
Colour:	Black
Transparent:	Ei
With hinged lid:	Ei
Degree of protection (IP):	IP20
Impact strength:	IK03
Type of fastening:	Clamp mounting
Width:	107 mm
Height:	249 mm
Depth:	11 mm
Built-in width:	63 mm
Built-in height:	63 mm
Diameter bore hole (opening):	71 mm