

# Cover frame

Cover frame, 80mm, 4-gang, steel

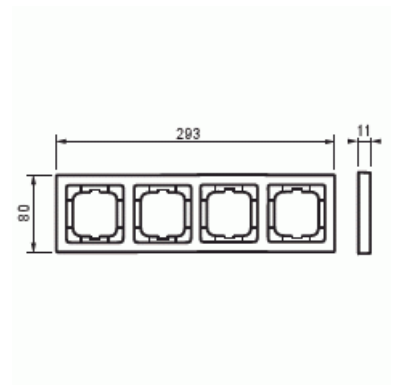
**Tyyppi:** 1724-866K

**Tuotekoodi:** 2CKA001754A4320

**GTIN:** 4011395088395



Flush mounting cover frame for 1-gang accessories, such as switches. The surface is pure stainless steel and easy to keep clean. Cleaning with a mild, standard household detergent. Be careful when cleaning with a powerful dissolvent.



## Tekniset tiedot

### Luokitus

Enclosure class:	IP20
------------------	------

### Pakkaus

Paketti:	1
Yksikkö:	kpl

### ETIM Data

ETIM Version:	ETIM-9.0
ETIM Class:	EC000007
Number of units:	4
Mounting direction:	Horizontal and vertical

# Tuotekortti

Cover frame, 80mm, 4-gang, steel



Number of units horizontal:	4
Number of units vertical:	4
With mounting grid:	Ei
Flush-mounted installation:	Kyllä
Suitable for floor box:	Ei
Suitable for wall duct:	Kyllä
Suitable for built-in installation:	Ei
Label space/information surface:	Ei
Material:	Metal
Material quality:	Stainless steel
Halogen free:	Kyllä
Anti-bacterial treatment:	Ei
Surface protection:	Untreated
Surface finishing:	Matt
Colour:	Stainless steel
Transparent:	Ei
With hinged lid:	Ei
Degree of protection (IP):	IP20
Impact strength:	IK03
Type of fastening:	Clamp mounting
Width:	80 mm
Height:	293 mm
Depth:	11 mm
Built-in width:	63 mm
Built-in height:	63 mm
Diameter bore hole (opening):	71 mm