

## Fault current pro

Socket residual current device with a rated current of 16 A and s rated residual current of 30mA.

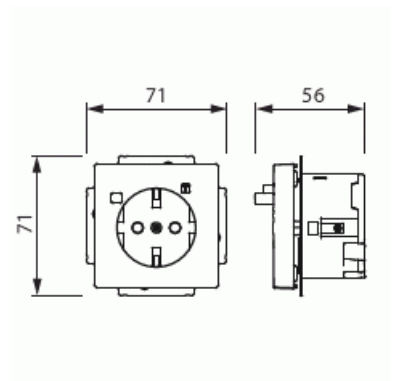
**Tyyppi:** 3120EUC-84

**Tuotekoodi:** 2CCF019491R0001

**GTIN:** 7612271472283



Socket residual current device with a rated current of 16 A and s rated residual current of 30mA.



## Tekniset tiedot

### Sähkösuureet

Nominal current:	16 A
Nominal voltage:	230 V

### Luokitus

Suitable for degree of protection (IP):	IP21
---	------

### Pakkaus

Paketti:	1/10
Yksikkö:	kpl

### ETIM Data

ETIM Version:	ETIM-9.0
ETIM Class:	EC000125
Number of active pins (round):	2
With signal lamp:	Ei
Number of units:	1
Number of phases:	1
Imprint/indication:	None
Connection type:	Push-in clamp
With hinged lid:	Ei
With enhanced contact protection:	Kyllä
Label space/information surface:	Ei
Colour:	White
RAL-number (similar):	9016
Metallic colour:	Ei
Transparent:	Ei
Lockable:	Ei
Eject-mechanism:	Ei
Insulated mounting:	Ei
With function lighting:	Ei
With orientation lighting:	Ei
Over voltage protection:	Ei
Fault current protection:	Kyllä
With miniature fuse:	Ei
Special power supply:	No special power supply
Mounting method:	Flush mounted (plaster)
Type of fastening:	Mounting with claw and screw
Material:	Plastic
Material quality:	Thermoplastic
Halogen free:	Kyllä
Surface protection:	Untreated
Surface finishing:	Glossy
Anti-bacterial treatment:	Ei
With loop through function:	Kyllä
With on/off switch:	Ei

# Tuotekortti

Socket residual current device with a rated current of 16 A and s rated residual current of 30mA.



Rotated central insert:	Ei
Frequency:	50...60 Hz
Rated fault current:	30 mA
Device width:	71 mm
Device height:	71 mm
Device depth:	56 mm
Min. depth of built-in installation box:	40 mm
Compatible with Apple HomeKit:	Ei
Compatible with Amazon Alexa:	Ei
Compatible with Google Assistant:	Ei
IFTTT support available:	Ei